

POINT OF CARE TESTING (POCT) FULLY AUTOMATED BIOCHEMISTRY ANALYZER

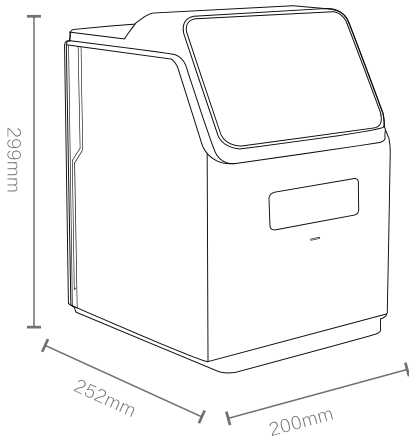
SD1 Automatic Biochemistry Analyzer is a biochemical analysis system that integrates conventional biochemistry, coagulation, electrolyte and immunoassay items. It is widely used in primary health, emergency diagnostic testing, field rescue and other fields.

Immediate Results Anywhere Anytime

Transfer results to PC

Build results database
(LIS System)





SD1 Automatic Biochemistry Analyzer

Equipped with the latest medical and technological innovations, we have invented a state-of-the-art portable SD1 Automatic Biochemistry Analyzer which provides a better, faster and more accurate diagnosis for blood analysis.



Test up to 40 parameters in total



Test results in 12 minutes



3-step simple operation

ADVANTAGES

Low Sample Consumption

Sample Volume needed is 1/10 - 1/20 of conventional chemistry analyzer.

Easy to Use

No professional skill required.

Maintenance Free

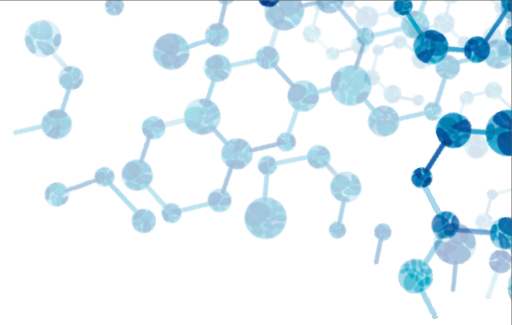
Robust analyzer, no consumables needed, such as tubes, pumps and valves.

Accurate Result

Using the photoelectric colorimetric principle, the SD1 analyzer has many advantages versus conventional dry biochemistry analyzer using the light reflection method. Dilution of test sample is guaranteed Without random errors or cross contamination.

SPECIFICATION

Sample volume	100µl	Testing method	End-point, kinetic, two-point
Bar code	Two dimensional Bar Code	Light source	Halogen tungsten lamp's shelt life is over 2500 hours
Testing time	12 minutes / sample	Power supply	AC 100V-240V, 50-60Hz
Temperature	37°C±0.3°C	Rated power	120VA
Absorbance	0.001Abs	Storage	MAX 500,000 results
Cross infection	0	Display	7 inch 800*480 multi-touch screen, Android system, multi-language support
Sample type	Lithium Heparin Anticoagulant whole blood, serum and plasma	Printer	Built-in thermal printer
Work condition	Temperature:10-30°C Humidity: 30%-70%	Connectors	4 USB interfaces, 1 LAN interfaces
Testing principle	Absorption spectroscopy, Turbidimetry	Weight	4.6Kg
QC&Calibrate	Automatic and real-time		



EASY 3-STEP OPERATION

All steps are automated from centrifugation, dilution, quality control to test result printing.



01 Add Sample (100 μ L)



02 Insert Disc (12-minute testing time)



03 Read Results (immediately)

DISPOSABLE REAGENT DISC

Seamaty Reagent Disc Introduction

Born from space technology research, Seamaty reagent disc is a fully self-contained single-use chemistry reagent disc designed to satisfy a variety of conditions. Just 3-4 drops (100 μ l) of whole blood are required to offer accurate results. The test kit consists of lyophilized reagent beads, diluent and QR code. The reagent disc has a shelf life of 12 months(2-8 $^{\circ}$ C storage). The diluent is contained in the disc. The QR code includes the basic information of the disc.

Intelligent Quality Control

The reagent disc contains a complicated internal quality control system IQC which continuously monitors the disc function to ensure reaction stability and optimal disc performance. IQC is the engine that drives the SD1 accurately and precisely.

Correlation

In countless central-lab correlation studies, the accuracy, precision and reproducibility of the SD1 chemistry analyzer has been proven and approved by the most respected hospitals and commercial around the world.



Reagent Panel

17 General Chemistry IV Kit

MD20182

TG TC HDL Hcy LP(a) Cys-C Crea UREA UA
 GLU FRUC TP ALB AST ALT TB DB A/G*
 U/C* LDL* IBIL* GLOB*

14 General Chemistry Kit

AW00002

ALB ALP ALT AMY AST Crea GLU GGT TB
 TC TG TP UA UREA U/C* A/G* GLOB*

18 General Chemistry II Kit

AW00866

ALB AMY AST Ca CK Cl⁻ Crea GLU HBDH
 LDH LPS Mg Na⁺ K⁺ tCO₂ UA UREA PHOS
 U/C*

10 Relyte Kit

MD20105

K⁺ Na⁺ Cl⁻ Ca Mg tCO₂ UREA Crea UA
 PHOS U/C*

8 Renal Function Kit

AW00275

ALB Ca Cl⁻ Crea K⁺ Na⁺ UA U/C* UREA

7 Electrolyte Kit

AW00246

Ca Cl⁻ K⁺ Mg Na⁺ PHOS tCO₂

5 Cardiac kit

MD20201

AST LDH CK HBDH CK-MB

14 General Chemistry B Kit

AW01077

ALB ALT AMY AST CK Crea DB GLU TB
 TC TG TP UA UREA U/C* A/G* GLOB*

10 Liver Function Plus Kit

AW00430

ALB ALT AMY AST ALP DB GGT LPS TB
 TP A/G* GLOB*

17 Conventional Chemistry Kit

AW01076

ALB ALP ALT AST CHE Crea DB GGT GLU
 HDL TB TBA TC TG TP UA UREA U/C*
 A/G* LDL* GLOB*

HbA1c Kit

MD10186

HbA1c

19 General Chemistry V Kit

MD20192

AST LDH CK K⁺ Na⁺ Cl⁻ tCO₂ Ca PHOS
 AMY Crea UREA UA Mg LPS GLU CRP HBDH
 CK-MB U/C*

8 Renal Function Kit

AW00088

ALB Ca Crea GLU PHOS tCO₂ UA UREA U/C*

19 General Chemistry III Kit

AW00867

ALB TP GLU TC TG HDL ALP GGT TB
 DB CHE TBA ALT AST CK AMY Crea UREA
 UA A/G* LDL* U/C* GLOB*

10 Liver Function Kit

AW00131

ALB ALP ALT AMY AST CHE TBA GGT TB
 TP A/G* GLOB*

6 Lipid Kit

AW00353

ALT AST GLU HDL TC TG LDL*

5 CRP Kit

MD10132

LPS CRP AMY UREA Crea

13 Liver Function Kit

AW01078

ALB ALP ALT AST CHE Crea DB GGT TB
 TBA TP UA UREA U/C* A/G* GLOB*

13 Health Check Kit

AW00194

ALB AMY ALT AST Ca Crea CK PHOS GLU
 TB TG TP UREA U/C* A/G* GLOB*

11 Chemistry CRP Kit

AW00857

TP Crea TB AST ALP ALB ALT DB GLU
 CRP UREA U/C* A/G* GLOB*

4 Coagulation Assay Kit

MD10184

Fib PT TT APTT INR*

* calculated