

## Test Menu

Cardiac	CK-MB MYO	H-FABP NT-proBNP	cTnI D-Dimer	hs-cTnI
Renal Function	UALB	NGAL	β2-MG	
Inflammation	IL-6	hs-CRP	PCT	SAA
Metabolism	PG I	PG II	G-17	
Thyroid	TT3 FT3	TT4	TSH	FT4
Embolism Marker	D-Dimer			
Diabetes *	INS	CP		
Hepatic Fibrosis*	LN	HA	Col IV	
Fertility *	PRC	ALD	Cortisol	ACTH
Reproductive Endocrinology *	hGH			

\*In registration



**POWERED BY GLASS CAPILLARY  
TUBE BASED ASSAY TECHNIQUE**

**SMT680** Automated Chemiluminescence Immunoassay Analyzer

# Innovative Combined Three Technologies

To achieve ease of use, high accuracy and low-cost Chemiluminescence immunoassay system near the patients.

- Glass Capillary Tube Coating Technology
- Micro Antigen & Antibody Labeling Technology
- Chemiluminescence Technology

Seamaty SMT680 is a compact automated immunoassay system based on chemiluminescence technology, innovatively combining with glass capillary tube coating technology and micro antigen and antibody labeling technology which brings the valuable features of point of care testing in simplicity and flexibility without sacrificing the accuracy which is comparable to larger laboratory analyzers.

## Large Immunoassay Analyzer

- High throughput
- High precision

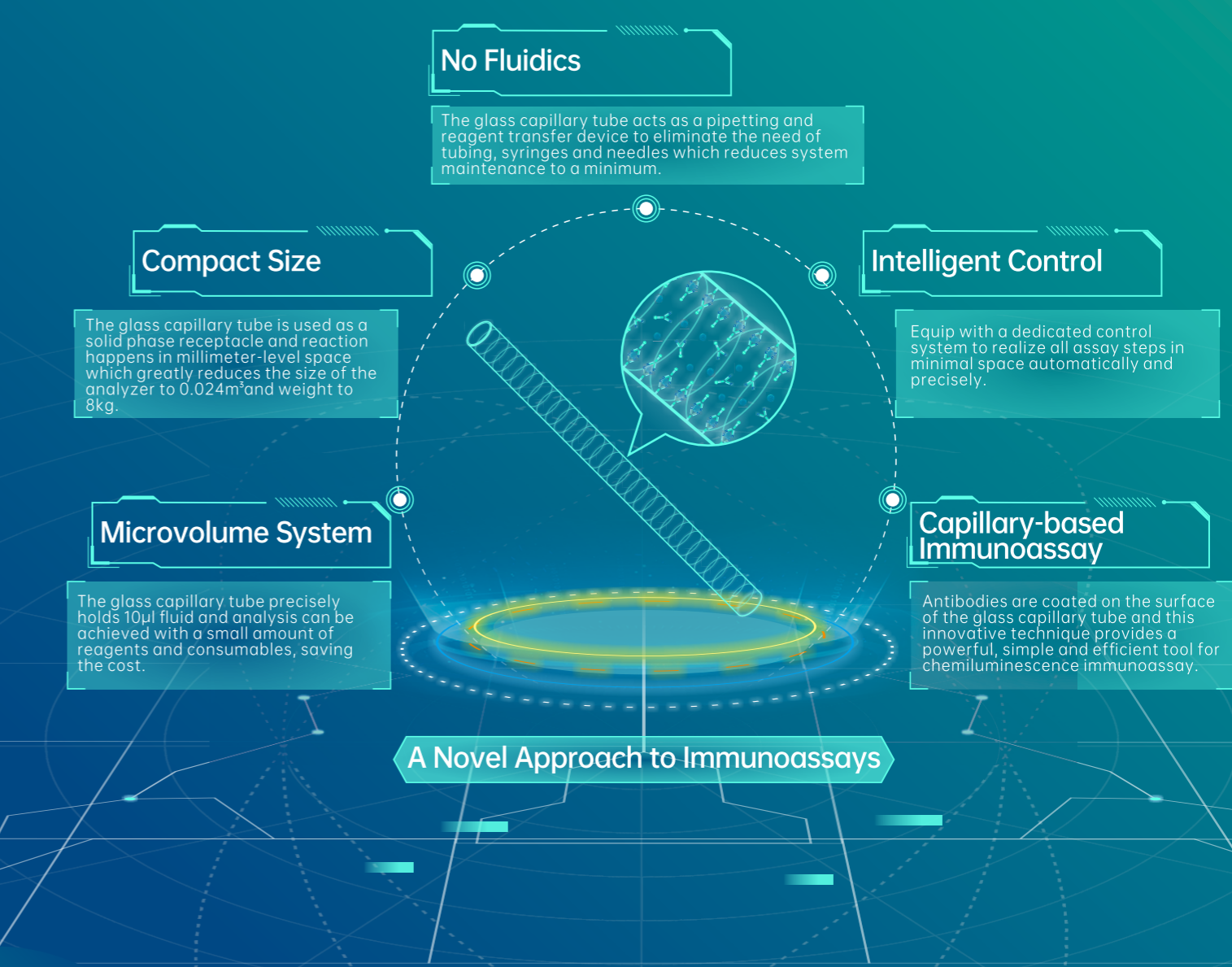
## POCT

- Low cost
- Minimal maintenance
- Simple and flexible



## Glass Capillary Tube Based Assay Technique

Seamaty immunoassay replaces conventional methodology with a glass capillary tube to perform an immunoassay. The glass capillary tube is pre-coated and is used for micropipette and reaction chamber which reduces instrument complexity and associated cost and maintenance. All steps for chemiluminescence immunoassay are performed automatically in minimal space: sample and substrate adding, reacting, incubating, washing, detection and result printing.



## Product Advantages



### Laboratory-level Precision

- Proven laboratory chemiluminescence technology
- Precision at the picogram level
- CV<5%



### Maximized Productivity

- Up to 20 test positions
- 8 different parameters can be used simultaneously
- Maximum to 80 tests per hour



### Space Saving & Flexible

- Weigh is 8kg with a minimal footprint
- Ideal for middle, and low-volume laboratories and hospitals, for clinics or for emergency and near patient testing.



### Ease of Operation

- Lower operator skills
- Read result in four simple steps



### Small Sample Volume

- Samples as small as 10 µl for each parameter
- Friendly to patients like infants, children and the elderly



### Large Test Menu

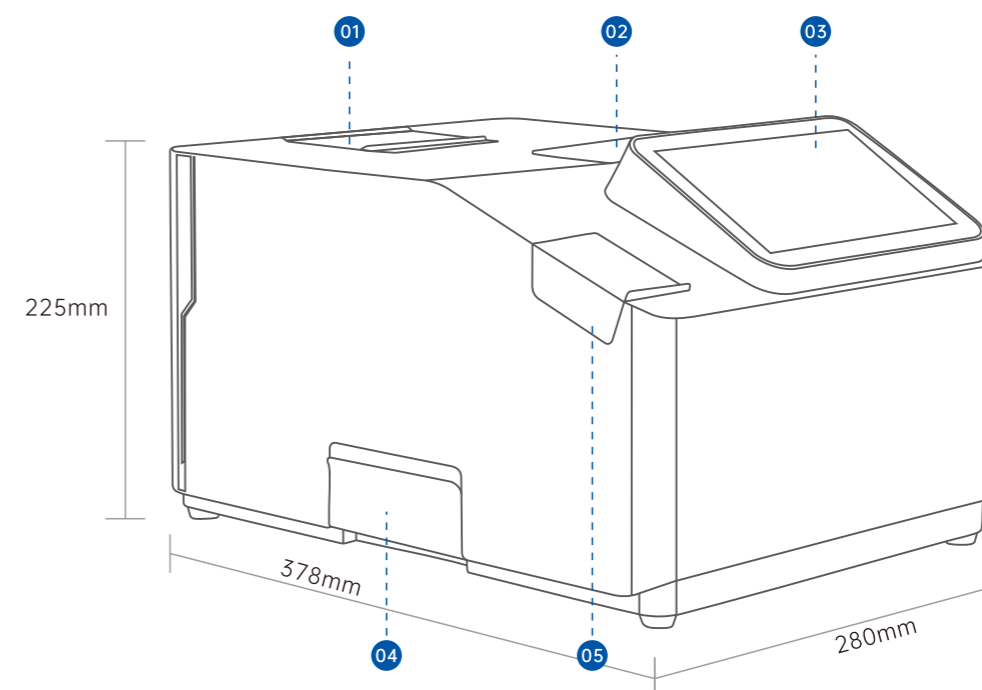
- Over 30 parameters for the diagnosis of cardiovascular and infectious diseases, inflammation, renal function, cancer and thyroiditis diseases.

## Specifications

Test Sample	Serum, Plasma or Urine
Sample Size	10 µl Per Parameter
Bar Code Reading	QR Code
Testing Principle	Double Antibody Sandwich, Antibody Capture, Competitive Immunoassay Etc.
Testing Method	Chemiluminescence Immunoassay
Temperature	37±0.2°C
Working Environment	Temperature: 5-32°C Humidity: ≤70%
Power Supply	Input: AC 220V, 50Hz
Rated Power	120VA
Display	Android 7" 800*480, Multi-Point Capacitive Touch Screen
Storage	MAX 500,000 Results
Printer	Built-in Thermal Printer
Data Interface	4 USB Ports, 1 LAN Port
Net Weight	8Kg
Dimension (L*W*H)	378mm*280mm*225mm

## Overview

SMT680 is only 8Kg which is 1/100 of large immunoassay analyzer and 1/10 of its class.



**01 Integrated Printer**  
Built-in thermal printer, automatically printing the result after testing.

**02 Reagent & Consumable Loading Position**  
Ready-to-use reagent and consumables include all components needed.

**03 Touch Screen**  
7" color screen with user-friendly interface.

**04 Waste Tray**  
Capture waste generated in the whole assay process.

**05 Sample Loading Position**  
Disposable sample tip, no inter-sample contamination.



## Simple 4-Step Operation



01

**Load Reagent and Consumables:**  
Insert substrate, wash buffer and reagent disc kit and fix well.



02

**Load Sample:**  
Add serum, plasma or urine.



03

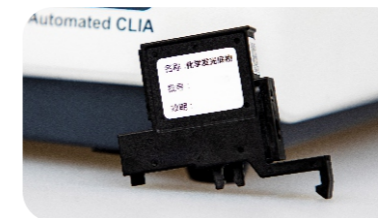
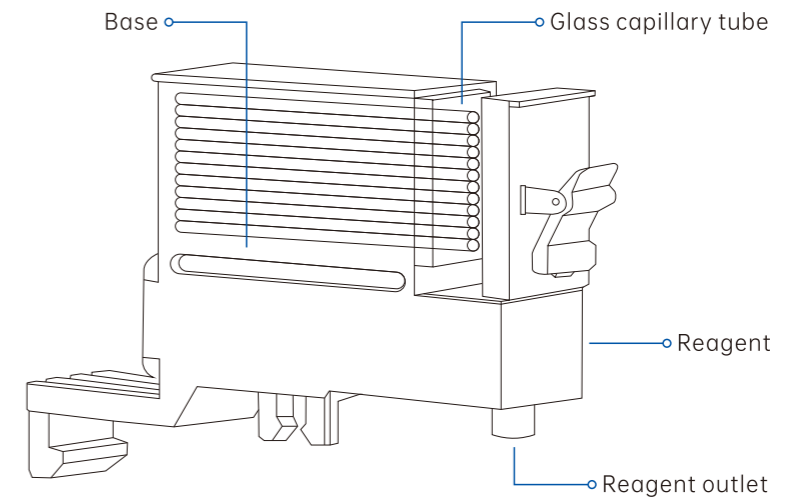
**Select Test Parameters:**  
Choose the test parameters from the list and run the test.



04

**Read Result:**  
The result will be automatically printed after testing.

## Consumables



Substrate



Reagent Cartridge



Wash Buffer



Each capillary tube can test one parameter and maximum 8 parameters available in a single-test.



Each reagent disc kit contains 12 capillary tubes which can be stored for one year under refrigeration, and the validity period is one month after opening.



Single-test format and self-contained reagents and consumables, no cross contamination.



It covers cardiovascular and infectious diseases, inflammation, renal function, cancer and thyroiditis diseases testing.